

[TopPage](#)>>[Search Result](#)>>7305DF

Angular Contact Ball Bearings

Bearing No. : **NACHI 7305DF**

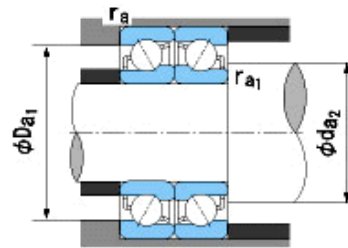
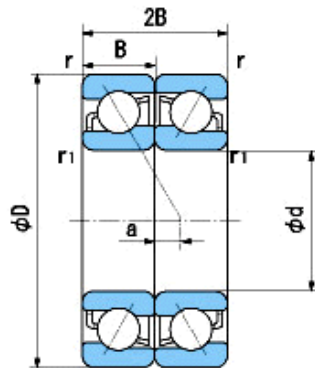
■ Bearing Type

■ Clearance

■ Tolerance Class

Dimensions

d = 25 ⁰_{-0.010}
 D = 62 ⁰_{-0.013}
 B = 17 ⁰_{0.000}
 r = 1.1~2
 (Radial Direction)
 r = 1.1~3.5
 (Axial Direction)
 r1 = 0.6~1
 (Radial Direction)
 r1 = 0.6~2
 (Axial Direction)
 a = 4.1



Dimensions

da1(min) = 32
 da2(min) = 30
 Da1(max) = 55
 Da2(max) = 57
 ra(max) = 1
 ra1(max) = 0.6
 Mass = 0.49 kg

Basic Dynamic Load Rating Cr :	43,000 N
Basic Static Load Rating Cor :	31,500 N
Limiting Speed ;	
Grease Lubrication :	8,500 min ⁻¹
Oil Lubrication :	11,000 min ⁻¹

	INNER RING	OUTER RING
O.D.Surface Runout with Side :		-
Axial Runout with Bore :	-	
Axial Runout with Raceway :	-	
Width Variation :	0.020	0.020
Radial Runout :	0.013	0.025